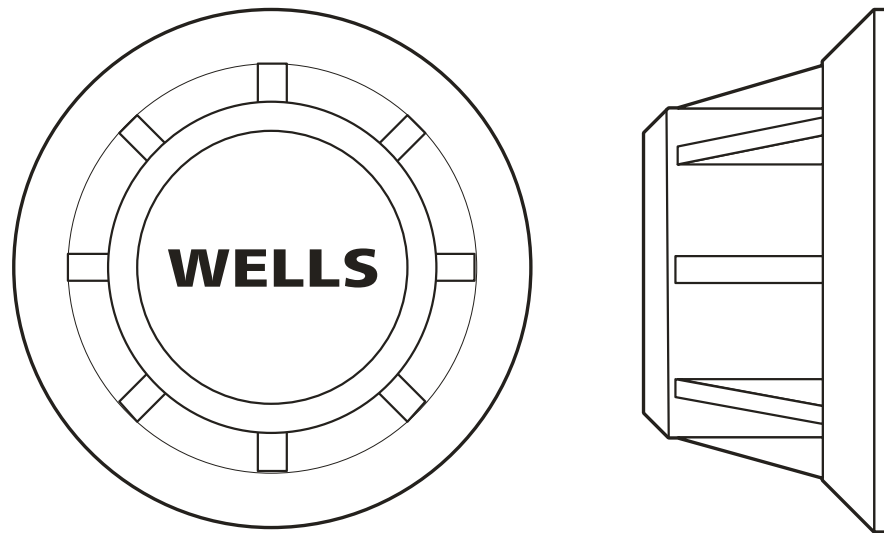


WELLS MANUFACTURING CO.

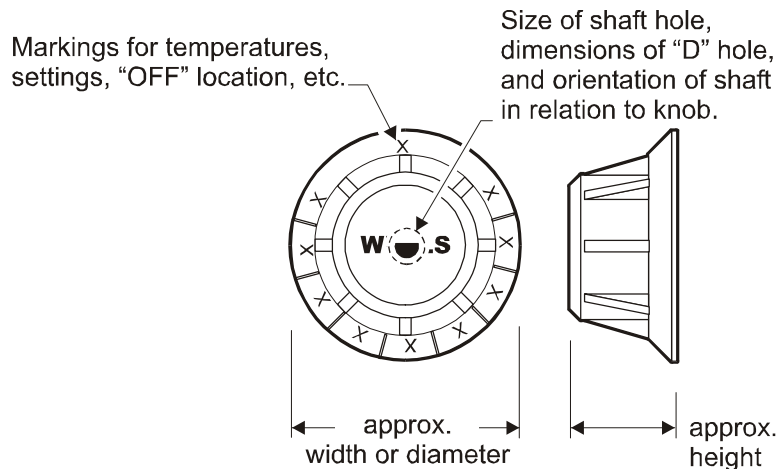


KNOB DATA AND CONFIGURATIONS

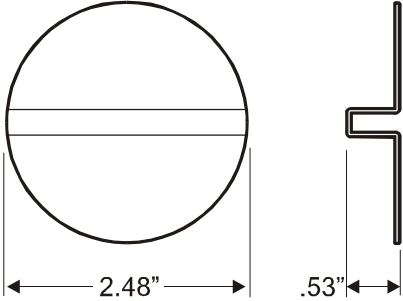
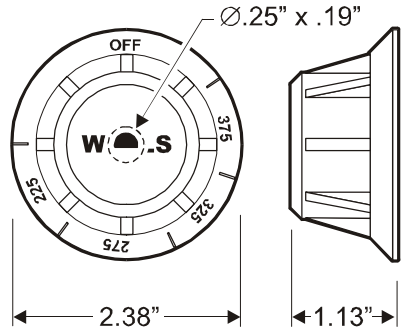
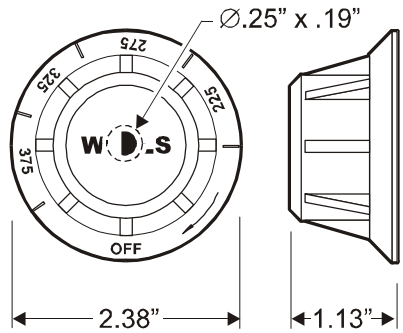
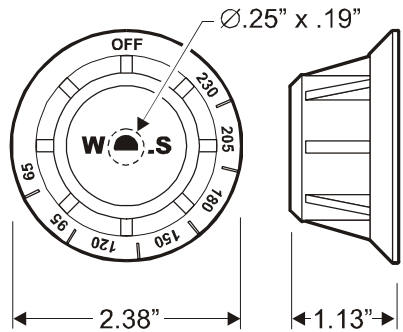
JULY, 2008

WELLS MODULAR KNOBS

PART NO.	DESCRIPTION	FLAT @	PAGE
50178	WELLS, Thermostat OFF (Top), 225°F - 375°F	6:00	1
50179	WELLS, Thermostat OFF (Bottom), 225°F - 375°F	9:00	1
50258	WELLS, Thermostat OFF (Top), 65°C - 230°C	6:00	1
50259	WELLS, Thermostat OFF (Top), 200°F - 450°F	6:00	2
50371	WELLS, Inf.Sw or Thermostat OFF (Top), LO, 2 - 8, HI, Inc CCW	12:00	2
50372	WELLS, Thermostat OFF (Top), LO, 2 - 8, HI, Inc CW	12:00	2
50583	FRONT, Inf.Sw or Thermostat OFF (Top), LO, 2 - 8, HI, Inc CCW	12:00	3
50584	REAR, Inf.Sw or Thermostat OFF (Top), LO, 2 - 8, HI, Inc CCW	12:00	3
54066	WELLS, Thermostat OFF (Bottom), 225°F - 375°F	6:00	4
54408	WELLS, Thermostat OFF (Bottom), 80°C - 193°C	6:00	5
55511	WELLS, Thermostat OFF (Bottom), 300°F - 375°F	9:00	5
55972	WELLS, Thermostat OFF (Top), 70°F/.21°C - 375°F/205°C	12:00	5
57882	WELLS AUTOFRY, Thermostat OFF (Bottom), 300°F - 375°F	9:00	5
58921	WELLS, Inf.Sw or Thermostat OFF (Top), LO, 2 - 8, HI, Inc CW	12:00	6
59325	FRONT, Gas Valve, OFF, HI	6:00	6
59327	REAR, Gas Valve, OFF, HI	6:00	6
60315	WELLS, Thermostat OFF (Top), 100°F - 212°F	3:00	7
60498	WELLS, Thermostat OFF (Top), LO, 2 - 8, HI Inc CW	3:00	7
61490	WELLS, Thermostat OFF (Top), 200°F - 400°F	6:00	8
62858	WELLS, Thermostat OFF (Bottom), 150°C - 190°C	9:00	9
64165	WELLS, Thermostat OFF (Top), 225°F - 375°F	6:00	9
64373	WELLS, Inf.Sw OFF (Top), LO, 2 - 8, HI, PREHEAT, Inc CCW	12:00	10
65206	(BLANK), Thermostat OFF (Top), 225°F - 375°F	6:00	10
66648	WELLS, Thermostat OFF (Bottom), 70°F/.21°C - 205°F/96°C	12:00	12
502826	WELLS, Thermostat OFF (Top), 200°F - 400°F	6:00	14



KNOB DATA & CONFIGURATIONS

SvcNo	Description / Application	Configuration / Dimensions
<p>part of 20385 20385A</p>	<p>KNOB, DRAIN</p> <p>SS Stamping</p> <p>Warmer SS206D</p>	
<p>50178</p>	<p>KNOB, TEMPERATURE CONTROL (WELLS) THERMOSTAT OFF (Top): 225°F - 375°F Gray Plastic Knob / SS Skirt / Black Markings Brushed Aluminum Center Insert</p> <p>Fryer F-45, F-48</p>	
<p>50179</p>	<p>KNOB, TEMPERATURE CONTROL (WELLS) THERMOSTAT OFF (Bottom): 225°F - 375°F Gray Plastic Knob / SS Skirt / Black Markings Brushed Aluminum Center Insert</p> <p>Fryer F-58</p>	
<p>50258</p>	<p>KNOB, TEMPERATURE CONTROL (WELLS) THERMOSTAT OFF (Top): 65°C - 230°C (Note: Centigrade) Gray Plastic Knob / SS Skirt / Black Markings Brushed Aluminum Center Insert</p> <p>Griddle G-13, G-19, G-23, G-24 (EU)</p>	

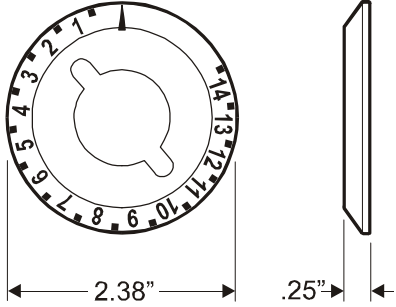
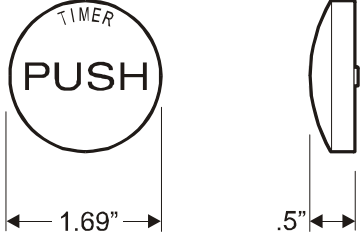
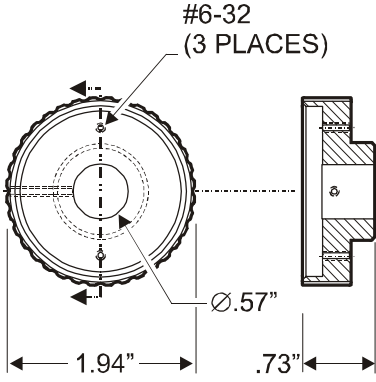
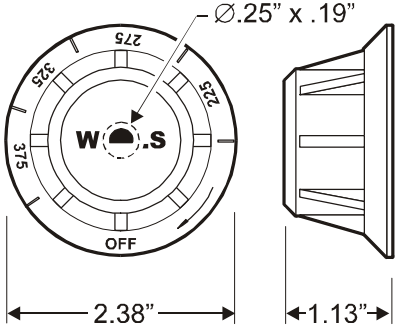
KNOB DATA & CONFIGURATIONS

SvcNo	Description / Application	Configuration / Dimensions
<p>50259</p> <p>500992 (pk85)</p>	<p>KNOB, TEMPERATURE CONTROL (WELLS) THERMOSTAT OFF (Top): 200°F - 450°F Gray Plastic Knob / SS Skirt / Black Markings Brushed Aluminum Center Insert</p> <p>Griddle G-13, G-19, G-23, G-24 Teppan Griddle JG246</p>	
<p>50371</p> <p>500994 (pk85)</p>	<p>KNOB, TEMPERATURE CONTROL (WELLS) INFINITE SWITCH or THERMOSTAT OFF (Top): LO, 2 - 8, HI (increase CCW) Gray Plastic Knob / SS Skirt / Black Markings Brushed Aluminum Center Insert</p> <p>Broiler B-40, B-44, B-50 (also EU) Hotplate H-33, H-006 Hotplate Ceramic, H-100, H-125 Warmer SS-4, SS-8, SS-10</p>	
<p>50372</p> <p>500996 (pk85)</p>	<p>KNOB, TEMPERATURE CONTROL (WELLS) THERMOSTAT OFF (Top): LO, 2 - 8, HI (increase CW) Gray Plastic Knob / SS Skirt / Black Markings Brushed Aluminum Center Insert</p> <p>Roll Warmers RW- Warmer SS-4T, SS-8T, SS-10T</p>	
<p>50447</p> <p>also part of 50446</p>	<p>KNOB, TIMER</p> <p>Black Plastic</p> <p>Waffle Bakers WB-1, WB-2</p>	

KNOB DATA & CONFIGURATIONS

SvcNo	Description / Application	Configuration / Dimensions
<p>50583</p>	<p>KNOB, TEMPERATURE CONTROL (FRONT) INFINITE SWITCH or THERMOSTAT OFF (Top): LO, 2 - 8, HI (increase CCW) Gray Plastic Knob / SS Skirt / Black Markings Brushed Aluminum Center Insert</p> <p>Hotplate H-63, H-65, H-70, H115 Hotplate Ceramic, H-225</p>	
<p>50584</p>	<p>KNOB, TEMPERATURE CONTROL (REAR) INFINITE SWITCH or THERMOSTAT OFF (Top): LO, 2 - 8, HI (increase CCW) Gray Plastic Knob / SS Skirt / Black Markings Brushed Aluminum Center Insert</p> <p>Hotplate H-63, H-65, H-70, H115 Hotplate Ceramic, H-225</p>	
<p>51796 or 62858</p>	<p>KNOB, SLIDE VENT</p> <p>Aluminum w/ tapped center hole</p> <p>Roll Warmer RW-, RWN-</p>	
<p>51843</p>	<p>KNOB, LIFT</p> <p>Cover, Open Pot Fryers Cover, Hot Dog Steamer</p>	

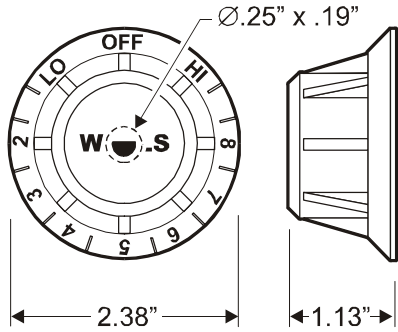
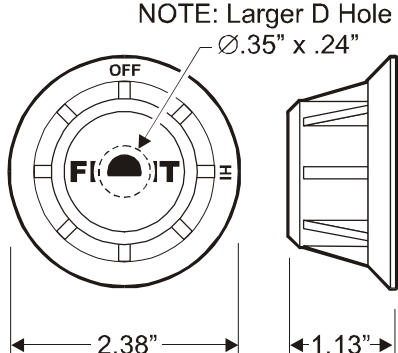
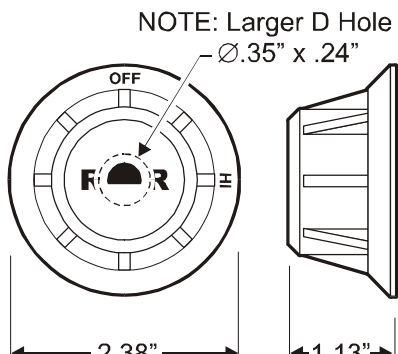
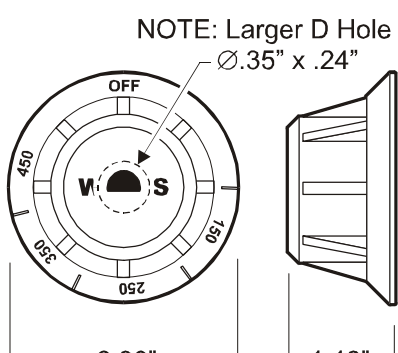
KNOB DATA & CONFIGURATIONS

SvcNo	Description / Application	Configuration / Dimensions
<p>52073</p> <p>also part of knob assy 52681</p> <p>see 50227 timer</p>	<p>KNOB, TIMER SKIRT</p> <p>SS Stamping / Black Markings</p> <p>Fryer, F-58, F-68, F-88 Rethermalizer F-58RT</p>	
<p>52667</p> <p>also part of knob assy 52681</p> <p>see 50227 timer</p>	<p>PUSH BUTTON, TIMER</p> <p>Red Plastic Button / White Markings Tubular Tinnerman Connector</p> <p>Fryer, F-58, F-68, F-88 Rethermalizer F-58RT</p>	
<p>part of knob assy 52681</p> <p>see 50227 timer</p>	<p>KNOB, PARAGON TIMER</p> <p>Gray Plastic</p> <p>NOTE: Only available as part of assy 52681 (incl.: 52073, 52667 plus screws)</p> <p>Fryer, F-58, -68, -88 Rethermalizer F-58RT</p>	
<p>54066</p>	<p>KNOB, TEMPERATURE CONTROL (WELLS) THERMOSTAT</p> <p>OFF (Bottom): 225°F - 375°F</p> <p>Gray Plastic Knob / SS Skirt / Black Markings Brushed Aluminum Center Insert</p> <p>Fryer F-49, F-67, F68, LLF-14</p>	

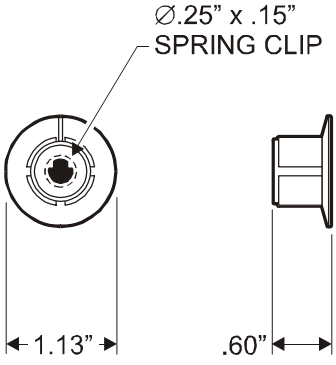
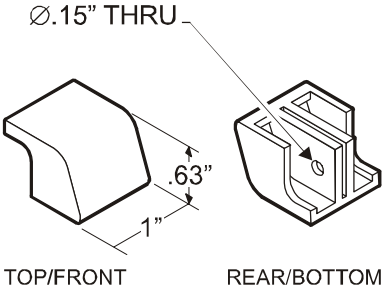
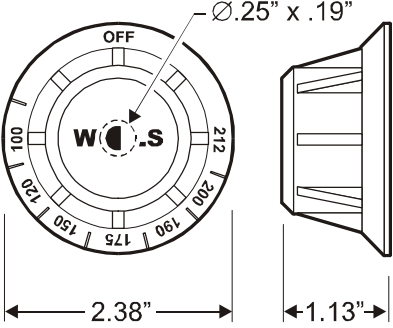
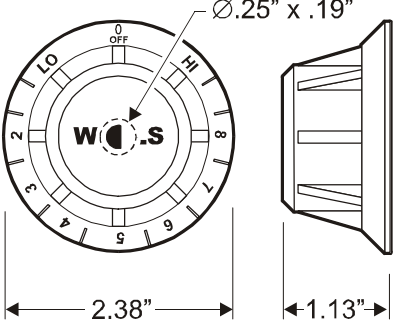
KNOB DATA & CONFIGURATIONS

SvcNo	Description / Application	Configuration / Dimensions
<p>54408</p>	<p>KNOB, TEMPERATURE CONTROL (WELLS) THERMOSTAT (CELCIUS) OFF (Bottom): 80°C - 193°C Gray Plastic Knob / SS Skirt / Black Markings Brushed Aluminum Center Insert</p> <p>Fryer F-55, -67-68 (Celcius)</p>	
<p>55511</p>	<p>KNOB, TEMPERATURE CONTROL (WELLS) THERMOSTAT OFF (Bottom): 300°F - 375°F Gray Plastic Knob / SS Skirt / Black Markings Brushed Aluminum Center Insert</p> <p>Fryer F-55, F-85, F-101, F-1725</p>	
<p>55972</p>	<p>KNOB, TEMPERATURE CONTROL (WELLS) THERMOSTAT OFF (Top): 70°F (21°C) - 205°F (96°C) Gray Plastic Knob / SS Skirt / Black Markings Brushed Aluminum Center Insert</p> <p>Heat 'N Hold HW-10 Heat 'N Hold HW-SMP</p>	
<p>57882</p>	<p>KNOB, TEMPERATURE CONTROL (WELLS AUTOFRY) THERMOSTAT OFF (Bottom): 300°F - 375°F Gray Plastic Knob / SS Skirt / Black Markings Brushed Aluminum Center Insert</p> <p>Fryer F-58, F-88, F-98</p>	

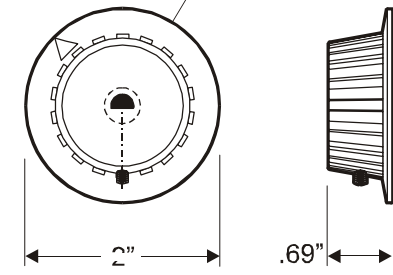
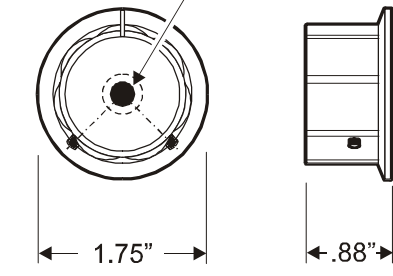
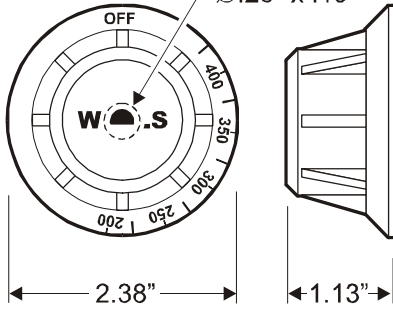
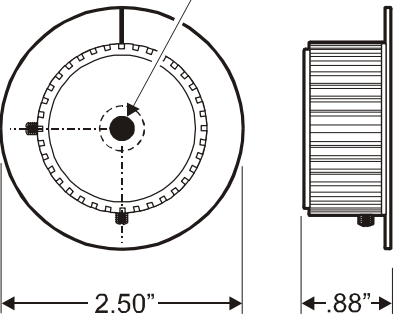
KNOB DATA & CONFIGURATIONS

SvcNo	Description / Application	Configuration / Dimensions
<p style="text-align: center;">58921</p>	<p>KNOB, TEMPERATURE CONTROL (WELLS) THERMOSTAT OFF (Top): LO, 2 - 8, HI (increase CW) Gray Plastic Knob / SS Skirt / Black Markings Brushed Aluminum Center Insert</p> <p style="text-align: center;">Warmers BMW-206T, SS206T</p>	
<p style="text-align: center;">59325</p>	<p>KNOB, TEMPERATURE CONTROL (FRONT) GAS VALVE OFF (TOP) - HI (3:00 position) Gray Plastic Knob / SS Skirt / Black Markings Brushed Aluminum Center Insert</p> <p style="text-align: center;">Gas Griddle H2412G</p>	
<p style="text-align: center;">59327</p>	<p>KNOB, TEMPERATURE CONTROL (REAR) GAS VALVE OFF (TOP) - HI (3:00 position) Gray Plastic Knob / SS Skirt / Black Markings Brushed Aluminum Center Insert</p> <p style="text-align: center;">Gas Griddle H2412G</p>	
<p style="text-align: center;">OBS. use 59325 (front) or 59327 (rear)</p>	<p>KNOB, TEMPERATURE CONTROL (WELLS) GAS VALVE OFF (TOP): 150°F - 450°F Gray Plastic Knob / SS Skirt / Black Markings Brushed Aluminum Center Insert</p> <p style="text-align: center;">Gas Griddle H2412G</p>	

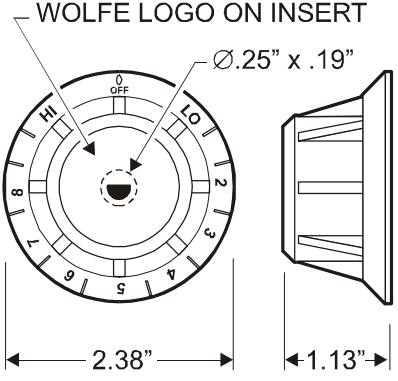
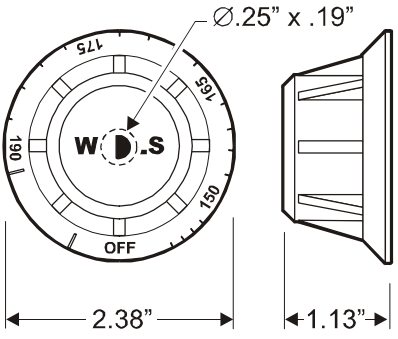
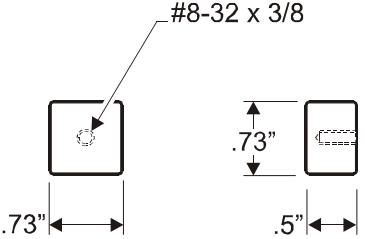
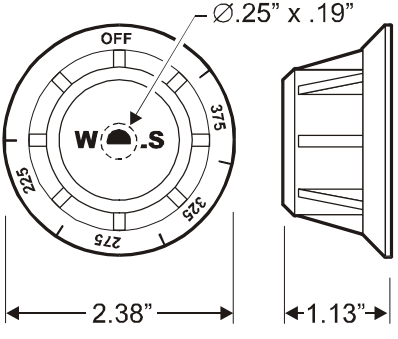
KNOB DATA & CONFIGURATIONS

SvcNo	Description / Application	Configuration / Dimensions
<p style="text-align: center;">60007</p>	<p>KNOB, TIMER ELECTRONIC TIMER Black Plastic / White Markings</p> <p style="text-align: center;">Toaster, T4, BT4</p>	 <p style="text-align: right;">Ø.25" x .15" SPRING CLIP</p> <p style="text-align: center;">1.13" .60"</p>
<p style="text-align: center;">60008</p>	<p>KNOB, SLIDE TOAST LEVER Black Plastic</p> <p style="text-align: center;">Toaster, T4, BT4</p>	 <p style="text-align: center;">Ø.15" THRU</p> <p style="text-align: center;">.63" 1"</p> <p style="text-align: center;">TOP/FRONT REAR/BOTTOM</p>
<p style="text-align: center;">60315</p>	<p>KNOB, TEMPERATURE CONTROL (WELLS) THERMOSTAT OFF (Top): 100°F - 212°F Gray Plastic Knob / SS Skirt / Black Markings Brushed Aluminum Center Insert</p> <p style="text-align: center;">Warmer SW10T (special use)</p>	 <p style="text-align: right;">Ø.25" x .19"</p> <p style="text-align: center;">2.38" 1.13"</p>
<p style="text-align: center;">60498</p> <p style="text-align: center;">also 500993 (pk 85)</p>	<p>KNOB, TEMPERATURE CONTROL (WELLS) THERMOSTAT OFF (Top): LO, 2 - 8, HI (increase CW) Gray Plastic Knob / SS Skirt / Black Markings Brushed Aluminum Center Insert</p> <p style="text-align: center;">Warmer BMW-(T), HMP-, HSW-, HT-, MOD-(T) SS-(T), SMPT, SW10T, TMPT</p>	 <p style="text-align: right;">Ø.25" x .19"</p> <p style="text-align: center;">2.38" 1.13"</p>

KNOB DATA & CONFIGURATIONS

SvcNo	Description / Application	Configuration / Dimensions
<p>60588</p>	<p>KNOB, TEMPERATURE CONTROL (ARROW) THERMOSTAT</p> <p>Black Plastic Knob / White Markings</p> <p>Marinator MDMW- Heated/Refrigerated Cold Pan HRCP-</p>	<p>Ø.25" x .19" w/ SETSCREW</p> 
<p>60588 (alternate)</p>	<p>KNOB, TEMPERATURE CONTROL (STRIPE) THERMOSTAT</p> <p>Black Plastic Knob / White Markings SS Center Insert</p> <p>Marinator MDMW- Heated/Refrigerated Cold Pan HRCP-</p>	<p>Ø.25" w/ 2 SETSCREWS</p> 
<p>61490</p>	<p>KNOB, TEMPERATURE CONTROL (WELLS) THERMOSTAT</p> <p>OFF (Top): 200°F - 400°F</p> <p>Gray Plastic Knob / SS Skirt / Black Markings Brushed Aluminum Center Insert</p> <p>Griddle G-236, -246</p>	<p>Ø.25" x .19"</p> 
<p>61829</p>	<p>KNOB, TEMPERATURE CONTROL THERMOSTAT</p> <p>Black Plastic Knob / Clear Plastic Skirt Black Markings / Aluminum Center Insert</p> <p>Hotcake Hotplate HH-1</p>	<p>Ø.25" w/2 SETSCREWS</p> 

KNOB DATA & CONFIGURATIONS

SvcNo	Description / Application	Configuration / Dimensions
<p style="text-align: center;">n/a</p> <p style="text-align: center;">use 50371</p>	<p>KNOB, TEMPERATURE CONTROL (WOLFE) INFINITE SWITCH or THERMOSTAT OFF (Top): LO, 2 - 8, HI (increase CCW) Gray Plastic Knob / SS Skirt / Black Markings Brushed Aluminum Center Insert</p> <p style="text-align: center;">Warmer MOD100 Wolfe</p>	<p style="text-align: center;">WOLFE LOGO ON INSERT</p> 
<p style="text-align: center;">62858</p>	<p>KNOB, TEMPERATURE CONTROL (WELLS) THERMOSTAT (CELCIUS) OFF (Bottom): 150°C - 190°C Gray Plastic Knob / SS Skirt / Black Markings Brushed Aluminum Center Insert</p> <p style="text-align: center;">Fryer F-58EU, F-88EU</p>	
<p style="text-align: center;">51796 or 62858</p>	<p>KNOB, SLIDE VENT</p> <p style="text-align: center;">Aluminum w/ tapped center hole</p> <p style="text-align: center;">Roll Warmer RW-, RWN-</p>	
<p style="text-align: center;">50178 or 64165</p>	<p>KNOB, TEMPERATURE CONTROL (WELLS) THERMOSTAT OFF (Top) 225°F - 375°F Gray Plastic Knob / SS Skirt / Black Markings Brushed Aluminum Center Insert</p> <p style="text-align: center;">Fryer WFG-40, FGS-40</p>	

KNOB DATA & CONFIGURATIONS

SvcNo	Description / Application	Configuration / Dimensions
<p>64373</p>	<p>KNOB, TEMPERATURE CONTROL (WELLS) INFINITE SWITCH OFF (Top): LO, 2 - 8, HI, PREHEAT (increase CCW) Gray Plastic Knob / SS Skirt / Black Markings Brushed Aluminum Center Insert</p> <p>Warmer MOD-, SMP-, SS- SW-, TMP Warmer, Coffee H-006</p>	
<p>65206</p>	<p>KNOB, TEMPERATURE CONTROL (BLANK) THERMOSTAT OFF (Top) 225°F - 375°F Gray Plastic Knob / SS Skirt / Black Markings Brushed Aluminum Center Insert</p> <p>Fryer FG-406</p>	
<p>65321</p>	<p>KNOB, TEMPERATURE CONTROL GAS VALVE OFF (Top) 200°F - 450°F Black Plastic Knob / White Markings</p> <p>Griddle WG-2424 thru -3048</p>	
<p>n/a use 60007</p>	<p>KNOB, TIMER (alternate design) ELECTRONIC TIMER Black Plastic / Aluminum Insert / Black Arrow</p> <p>Toaster, T4, BT4</p>	

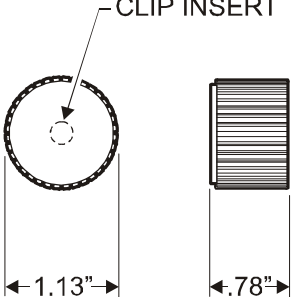
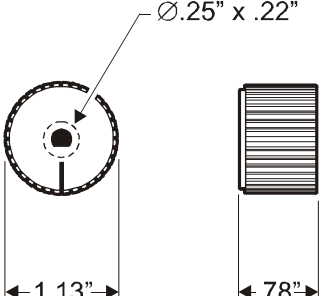
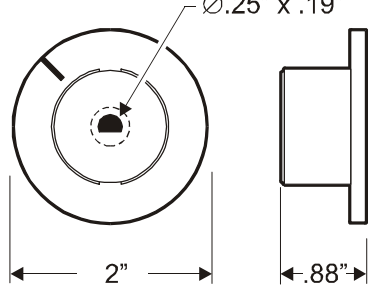
KNOB DATA & CONFIGURATIONS

SvcNo	Description / Application	Configuration / Dimensions
<p style="text-align: center;">OBS. use black knob 64564</p>	<p>KNOB, TEMPERATURE CONTROL BI-METAL CONTROL Gray Plastic w/ SS Inlay</p> <p>Warmer LLW-, 6515, 6530, 6536 Deluxe Package Soup Cooker LLSC-, 6407, 6411, 6423 Fryer WFPE-30F (EU)</p>	<p style="text-align: center;">Ø.25" w/ SETSCREW</p>
<p style="text-align: center;">64564</p>	<p>KNOB, TEMPERATURE CONTROL BI-METAL CONTROL Black Plastic w/ SS Inlay</p> <p>Warmer LLW-, 6515, 6530, 6536 Deluxe Package Soup Cooker LLSC-, 6407, 6411, 6423 Fryer WFPE-30F (EU)</p>	<p style="text-align: center;">Ø.25" w/ SETSCREW</p>
<p style="text-align: center;">65653</p>	<p>KNOB, TEMPERATURE CONTROL THERMOSTAT</p> <p>Black Plastic Knob / Clear Plastic Skirt Red Markings</p> <p>Breakfast Cook Center BCC-1 Convection Oven OC-1, OC-2HG Fryer CL-15, WFAE-30, WVAE-30, WFPE-30, WVPE-30 Hotcake Hotplate HH-1</p>	<p style="text-align: center;">Ø.25" x .19"</p>
<p style="text-align: center;">64564A</p>	<p>KNOB, TEMPERATURE CONTROL BI-METAL CONTROL Black Plastic Knob, Clear Skirt, Red Markings</p> <p>Warmer 6536 NC MED</p>	<p style="text-align: center;">Adjust for Calibration</p> <p style="text-align: center;">Ø.25" x .19"</p>

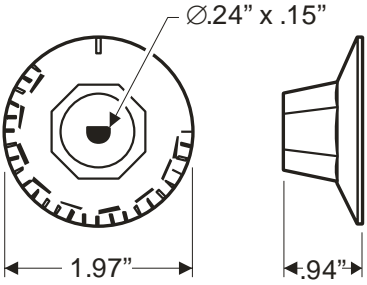
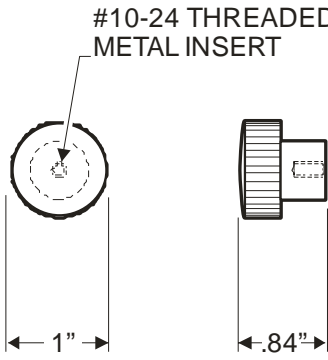
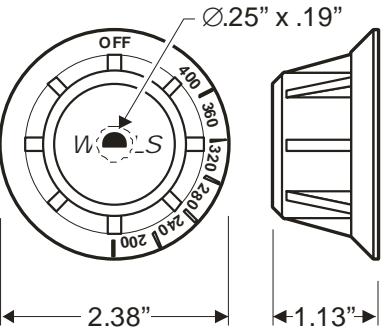
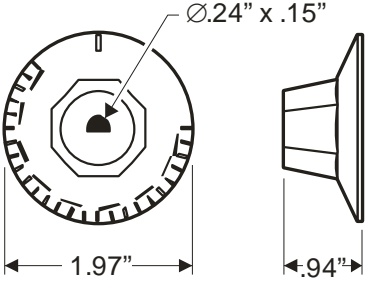
KNOB DATA & CONFIGURATIONS

SvcNo	Description / Application	Configuration / Dimensions
<p>66164</p>	<p>KNOB, TEMPERATURE CONTROL THERMOSTAT (Celcius) 50°C - 300°C WhitePlastic w/ Black Markings</p> <p>Griddle JG246EU</p>	<p style="text-align: center;">Ø.24" x .15"</p> <p style="text-align: center;">1.97"</p> <p style="text-align: center;">.94"</p>
<p>66648</p>	<p>KNOB, TEMPERATURE CONTROL (WELLS) THERMOSTAT OFF (Bottom): 70°F (21°C) - 205°F (96°C) Gray Plastic Knob / SS Skirt / Black Markings Brushed Aluminum Center Insert</p> <p>Rethermalizer F-49RT, -58RT</p>	<p style="text-align: center;">Ø.25" x .19"</p> <p style="text-align: center;">2.38"</p> <p style="text-align: center;">1.13"</p>
<p>67172</p>	<p>KNOB, TEMPERATURE CONTROL THERMOSTAT OFF (Top): 100°F - 200°F Black Plastic Knob / Brushed Aluminum Insert Black Markings</p> <p>Hot Dog Steamer 6440, 6441</p>	<p style="text-align: center;">Ø.25" x .19"</p> <p style="text-align: center;">1.95"</p> <p style="text-align: center;">1.25"</p>
<p>67177</p>	<p>KNOB, COVER Black Plastic Knob</p> <p>Hot Dog Steamer 6440, 6441</p>	<p style="text-align: center;">8-32 THREADED INSERT</p> <p style="text-align: center;">.91"</p> <p style="text-align: center;">.91"</p>

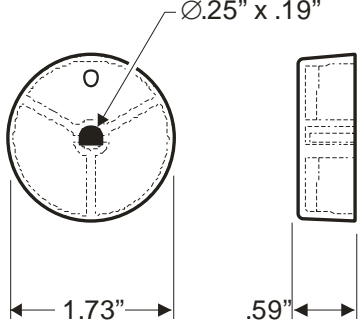
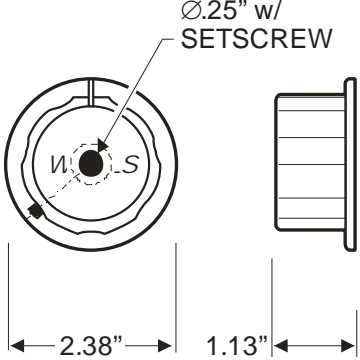
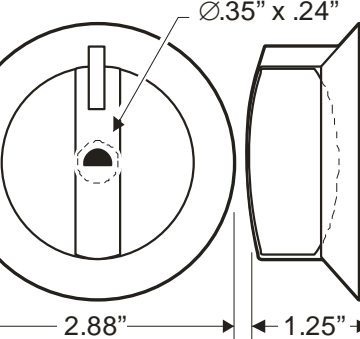
KNOB DATA & CONFIGURATIONS

SvcNo	Description / Application	Configuration / Dimensions
<p style="text-align: center;">67439</p>	<p>KNOB, TIME/TEMP CONTROL ELECTRONIC CONTROLLER</p> <p>Black Plastic Knob</p> <p>Convection Oven OC-1, OC-2HG</p>	<p style="text-align: center;">6mm x 4.5mm CLIP INSERT</p> 
<p style="text-align: center;">68705</p>	<p>KNOB, TEMPERATURE CONTROL INFINITE SWITCH</p> <p>Black Plastic Knob w/ Engraved Indicator</p> <p>Convection Oven (Hotplate Section) OC-4</p>	<p style="text-align: center;">Ø.25" x .22"</p> 
<p style="text-align: center;">69955</p>	<p>KNOB, TEMPERATURE CONTROL BI-METAL CONTROL</p> <p>Gray Plastic Knob / Black Indicator Line</p> <p>Cook 'N Hold LLCH-1220</p>	<p style="text-align: center;">Ø.25" x .19"</p> 

KNOB DATA & CONFIGURATIONS

SvcNo	Description / Application	Configuration / Dimensions
<p>500356</p>	<p>KNOB, TEMPERATURE CONTROL THERMOSTAT 150°F - 550°F White Plastic w/ Black Markings</p> <p>Griddle JG246UL</p>	 <p>Ø.24" x .15"</p> <p>1.97"</p> <p>.94"</p>
<p>502446</p>	<p>KNOB, OPERATING LEVER</p> <p>Black Plastic</p> <p>Fryer, WFPE-30F, WVPE-30F</p>	 <p>#10-24 THREADED METAL INSERT</p> <p>1"</p> <p>.84"</p>
<p>502826</p>	<p>KNOB, TEMPERATURE CONTROL (WELLS) THERMOSTAT OFF (Top) 200°F - 400°F Gray Plastic Knob / SS Skirt / Black Markings Brushed Aluminum Center Insert</p> <p>Griddle (Universal Hood) WVG-136, WVGf, WV-2HG</p>	 <p>Ø.25" x .19"</p> <p>2.38"</p> <p>1.13"</p>
<p>500356</p>	<p>KNOB, TEMPERATURE CONTROL THERMOSTAT 150°F - 550°F White Plastic w/ Black Markings</p> <p>Griddle JG246EU (°F DIAL)</p>	 <p>Ø.24" x .15"</p> <p>1.97"</p> <p>.94"</p>

KNOB DATA & CONFIGURATIONS

SvcNo	Description / Application	Configuration / Dimensions
<p>504683</p>	<p>KNOB, TEMPERATURE CONTROL SOLID STATE CONTROLLER</p> <p>Black Plastic w/ White Indicator</p> <p>Humidified Drawer Warmer HDWN-1S</p>	 <p>Ø.25" x .19"</p> <p>1.73"</p> <p>.59"</p>
<p>502446</p>	<p>KNOB, TEMPERATURE CONTROL (WELLS) INFINITE SWITCH</p> <p>Black Plastic w/ White Markings Brushed Aluminum Center Insert</p> <p>Hot Dog Roller Grill WRG-</p>	 <p>Ø.25" w/ SETSCREW</p> <p>2.38"</p> <p>1.13"</p>
<p>NO LONGER AVAILABLE USE 506630 BELOW</p>		
<p>506630</p>	<p>KNOB, TEMPERATURE CONTROL GAS VALVE</p> <p>Black Plastic w/ Burgundy Plastic Shirt and Indicator</p> <p>Gas Griddle HDG- Gas Hot Plate HDHP Gas Charbroiler HDCB-</p>	 <p>NOTE: Larger D Hole Ø.35" x .24"</p> <p>2.88"</p> <p>1.25"</p>



Wells Bloomfield proudly supports CFESA
Commercial Food Equipment Service Association

SERVICE TRAINING - QUALITY SERVICE



CUSTOMER SATISFACTION



WELLS BLOOMFIELD, LLC
2 ERIK CIRCLE, P. O. Box 280 Verdi, NV 89439
telephone: 775-689-5703
fax: 775-689-5976
www.wellsbloomfield.com

PRINTED IN UNITED STATES OF AMERICA